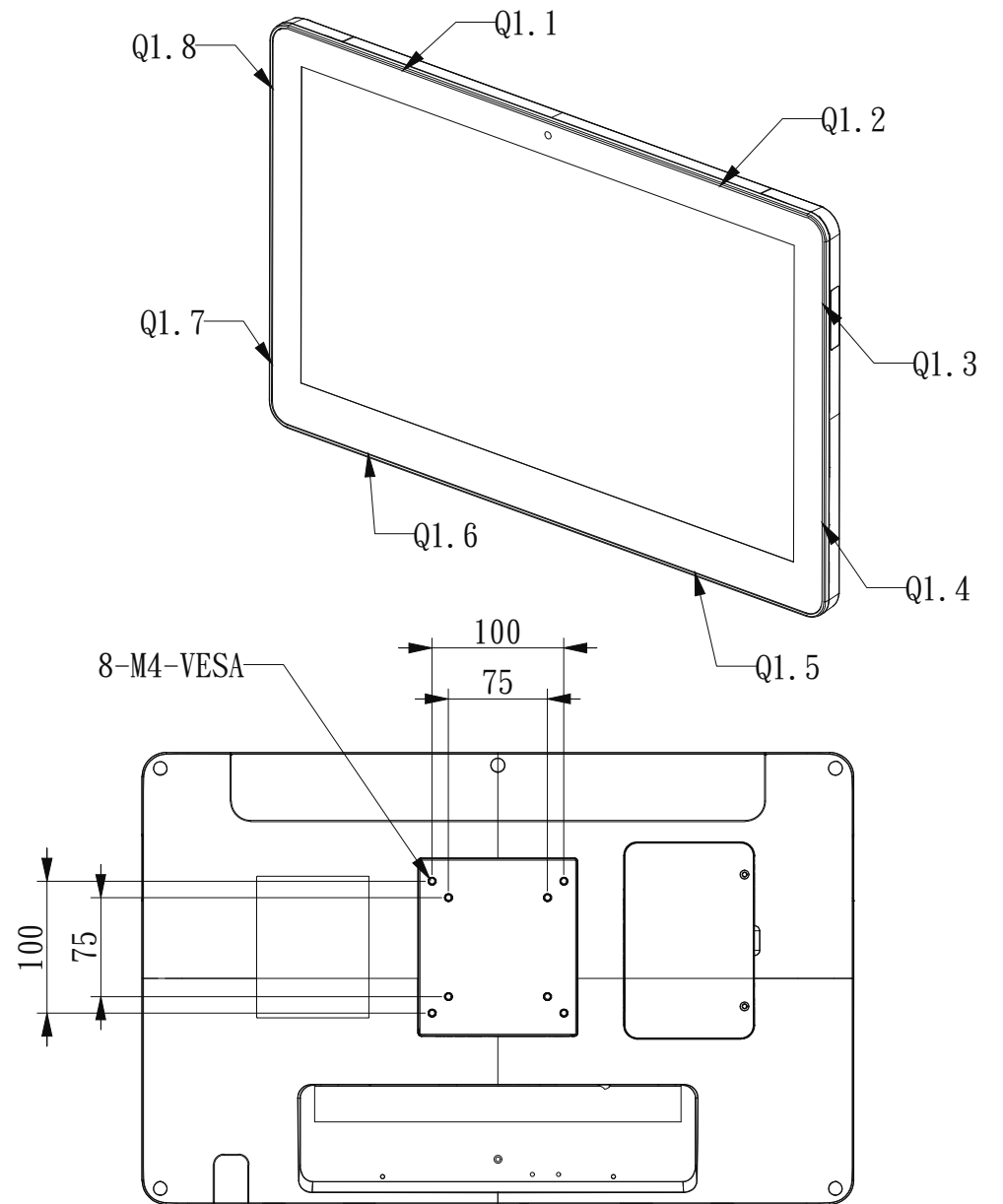
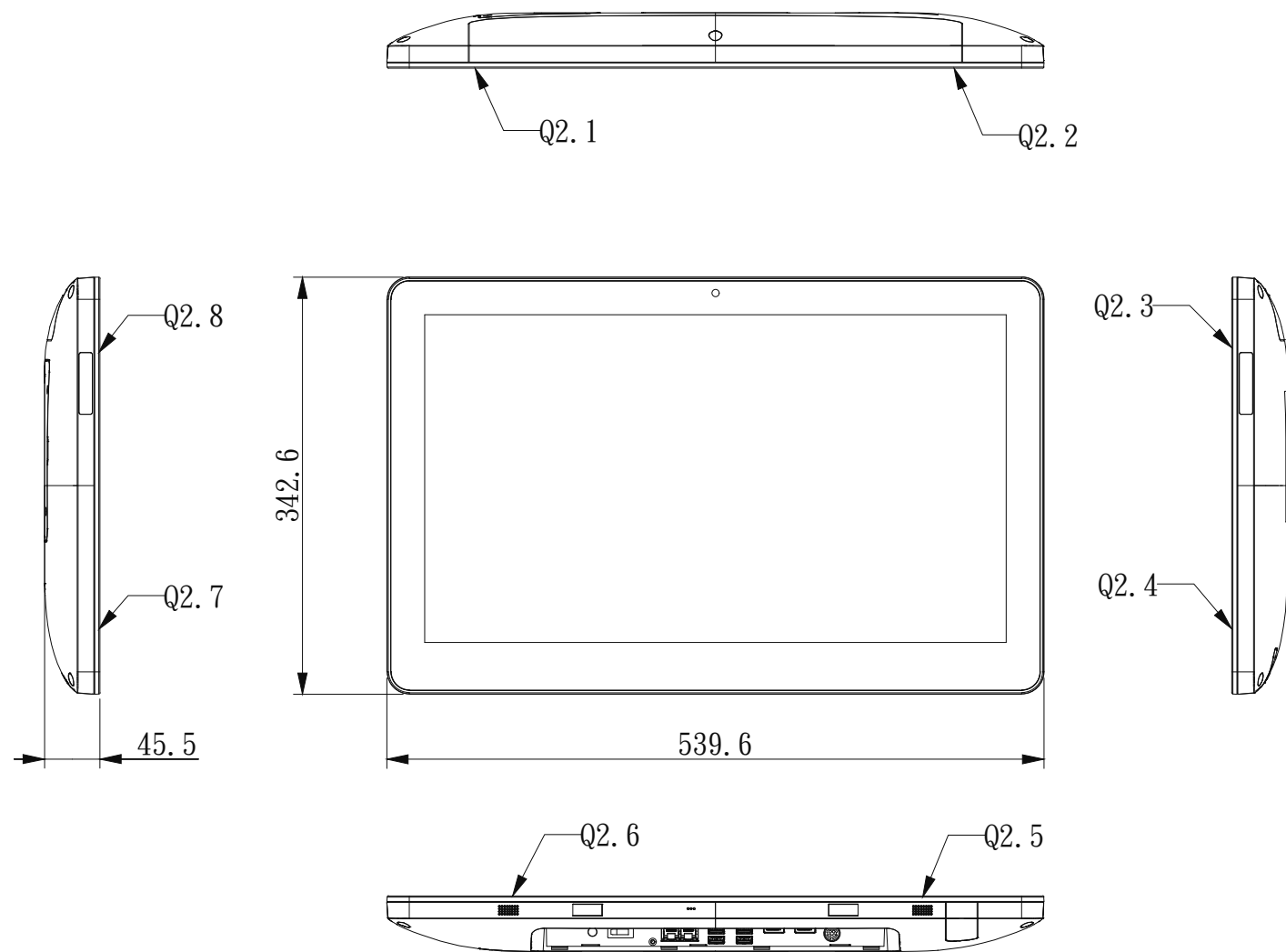


<input type="checkbox"/>	估價圖面
<input type="checkbox"/>	樣品圖面
<input type="checkbox"/>	參考圖面
<input checked="" type="checkbox"/>	承認圖面
<input type="checkbox"/>	更新圖面

1
2
3
4
5

A B C D E F G H



Note
 Q1: FRONT BEZEL / PCAP TOUCH GAP
 MIN 0.00mm MAX 0.5mm
 Q2: PCAP TOUCH SURFACE PROJECTION W/ FRONT BEZEL
 MIN -0.2mm MAX 0.15mm

- Note:
1. 檢驗尺寸。共 處
 2. 未標示公差，皆依圖框一般公差表檢驗
 3. 所有標示之尺寸，皆為表面處理後之尺寸
 4. 此料件為 級面

ΔE	≤ 1.5	-1	$\leq \Delta L, \Delta a, \Delta b \leq$	1
------------	------------	----	--	---

GENERAL TOL.	A	B	MATERIAL:	PART No.					安勤科技股份有限公司 Avalue Technology Inc.			
>0	± 0.1	± 0.1	SPEC:	DMR Number	T83795-00				NAME	系統構圖(Final)(ME)		
>10	± 0.1	± 0.2	FINISH:	APPROVED	CHECKED	DESIGNED	DRAWN	REV.	A1	SHEET:	1/1	A3
>50	± 0.15	± 0.3	UNIT:MM	Dragon Huang	Dragon Huang	Kobe Chang	Kobe Chang	MODEL No.	APC-2138			
>200	± 0.3	± 0.5	SCALE:	20220907	20220907	20220907	20220907	REV.	A1	SHEET:	1/1	A3
>500	± 0.5	± 0.8	ANGLE TOL. $\pm 0.5^\circ$	20220907	20220907	20220907	20220907	REV.	A1	SHEET:	1/1	A3