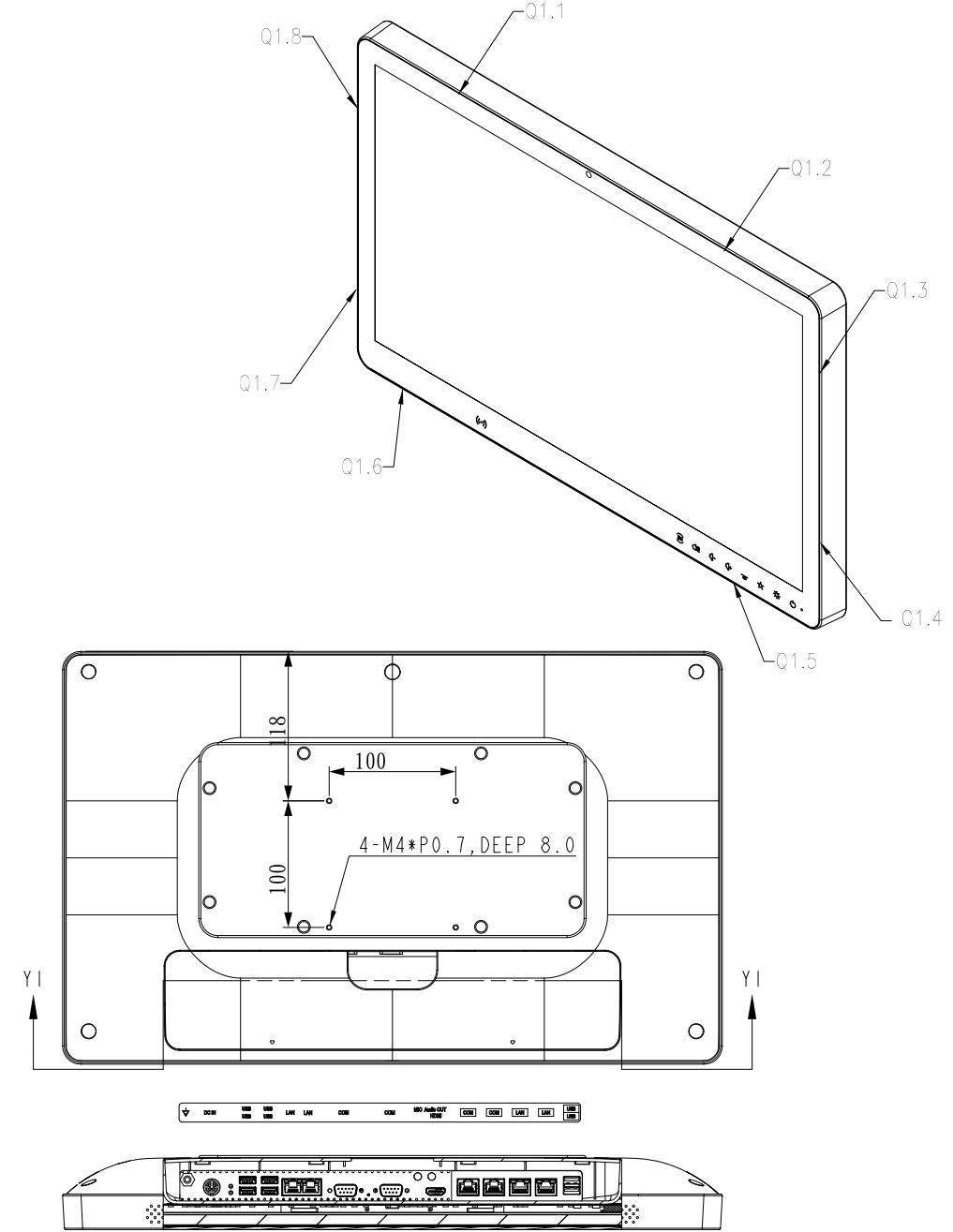
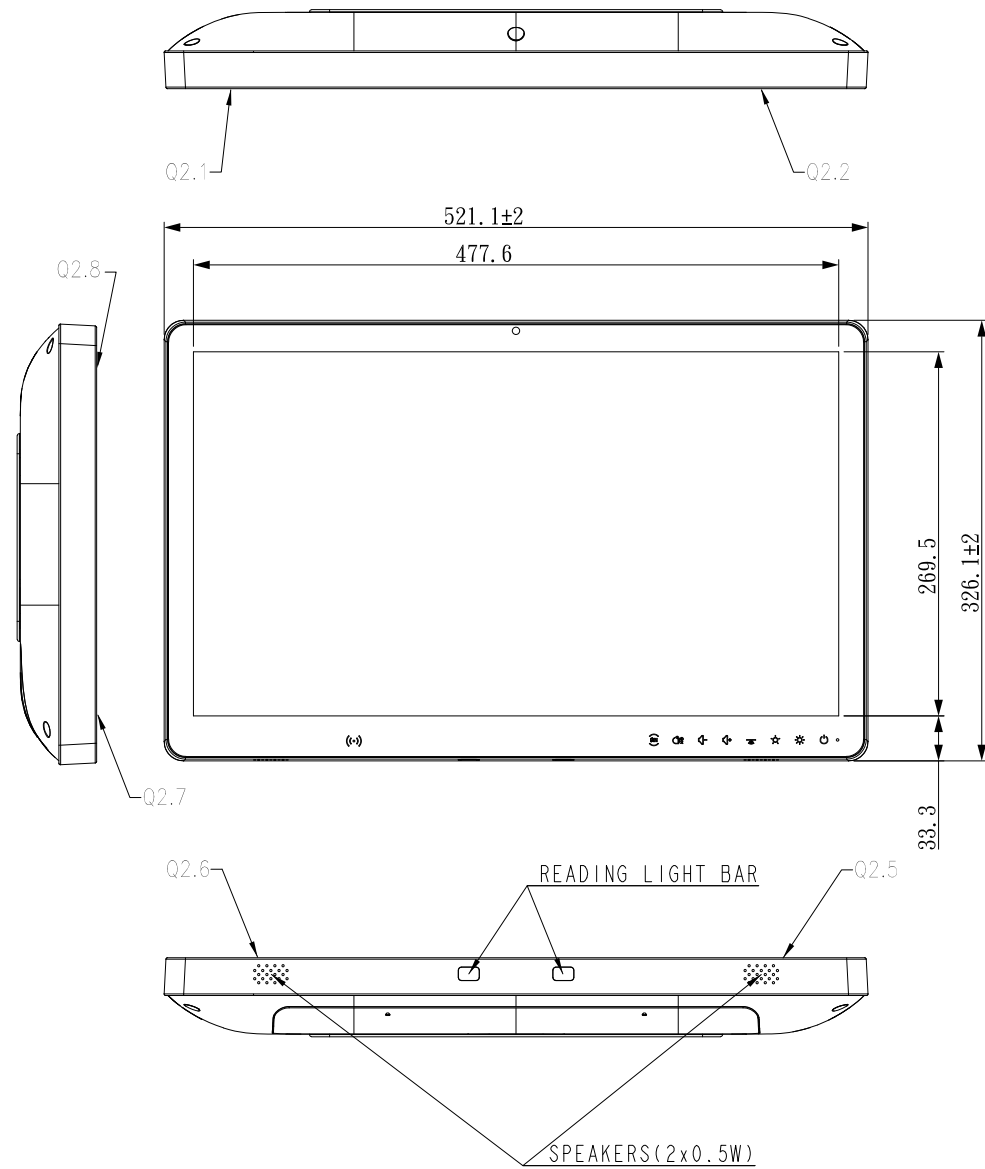


A B C D E F G H

估價圖面
樣品圖面
參考圖面
承認圖面
更新圖面

1  
2  
3  
4  
5



SECTION YI-YI

- NOTE:
- CUSTOMER MODEL No. : HID-2232.
  - OUTLINE COLOR : RAL 9003.
  - NET WEIGHT : 6.8±0.2kg.
  - Q1:FRONT BEZEL / PCAP TOUCH GAP  
MIN 0.00MM MAX 0.50MM
  - Q2:PCAP TOUCH SURFACE PROJECTION W/ FRONT BEZEL  
MIN 0.00MM MAX 0.30MM

GENERAL TOL.	A	B	MATERIAL:	PART No.	安勤科技股份有限公司 Avalue Technology Inc.				
>0	±0.1	±0.1	SPEC:	DMR Number	T52965-00				
>10	±0.1	±0.2	FINISH:	APPROVED	CHECKED	DESIGNED	DRAWN	NAME	系統機構
>50	±0.15	±0.3	UNIT:MM	Dragon Huang	Dragon Huang	Kobe Chang	Kobe Chang	MODEL No.	HID-2232
>200	±0.3	±0.5	SCALE:	20190524	20190524	20190524	20190524	REV.	A1
>500	±0.5	±0.8	ANGLE TOL.±0.5°	1:5	20190524	20190524	20190524	SHEET:	1/1

ΔE	≤1.5	-1	≤	ΔL、Δa、Δb	≤	1
----	------	----	---	----------	---	---