

A

B

C

D

E

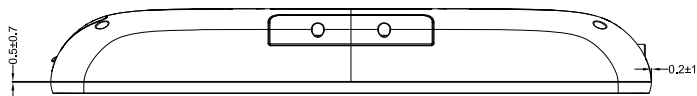
F

G

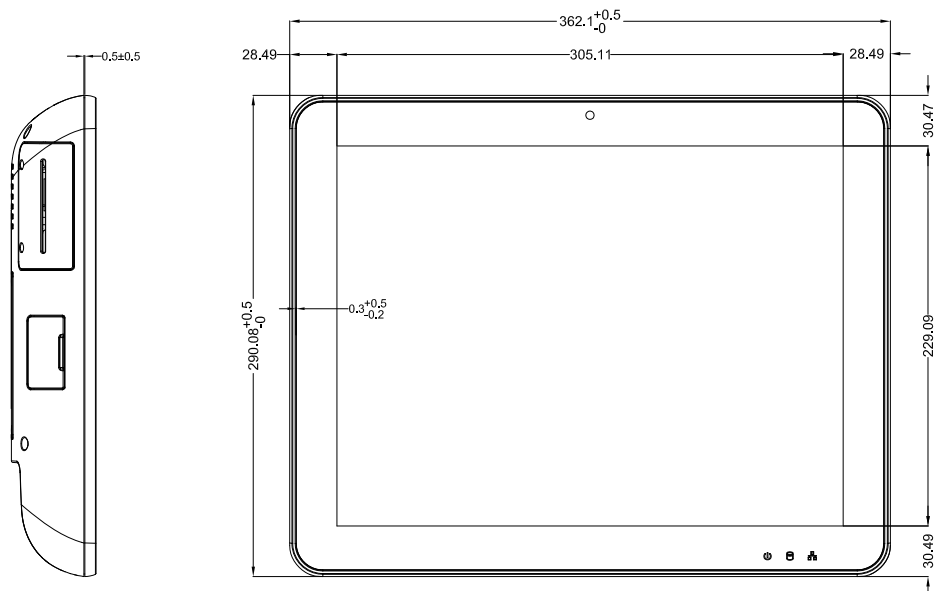
H

估價圖面
樣品圖面
參考圖面
承認圖面
更新圖面

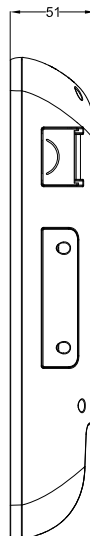
1



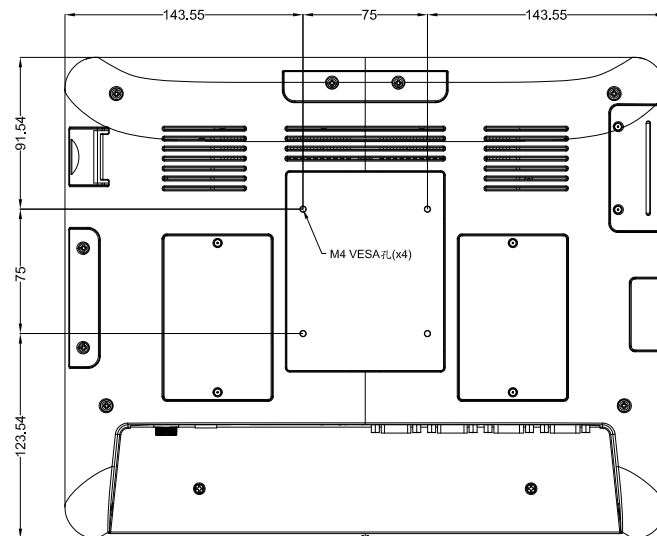
2



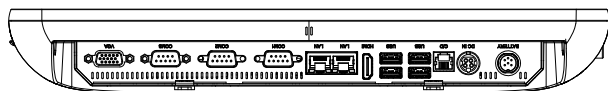
3



4



5



GENERAL TOL.	A	B	MATERIAL:	PART No.			
>0	±0.1	±0.1	SPEC.:	DMR Number. T48619-00			
>10	±0.1	±0.2	FINISH:	APPROVED	CHECKED	DESIGNED	DRAWN
>50	±0.15	±0.3	UNIT: MM	Dragon_Huang	Dragon_Huang	Frank_Lu	Frank_Lu
>200	±0.3	±0.5	SCALE: 1/1	2018/12/24	2018/12/24	2018/12/24	2018/12/24
>500	±0.5	±0.8	ANGLE TOL. ±0.5°				

 安勤科技股份有限公司
Avalue Technology Inc.

NAME	系統機構圖		
MODEL No.	RITY153(Panel)		
REV.	A1	SHEET: 1 / 5	AX

ΔE≤XX XX≤L、a、△b≤XX

A

B

C

D

E

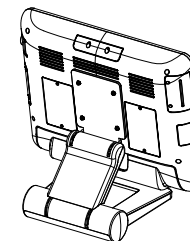
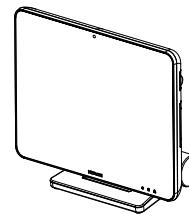
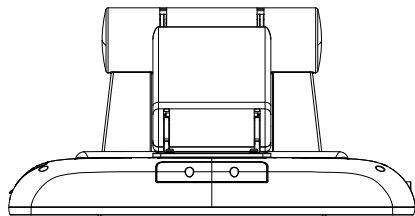
F

G

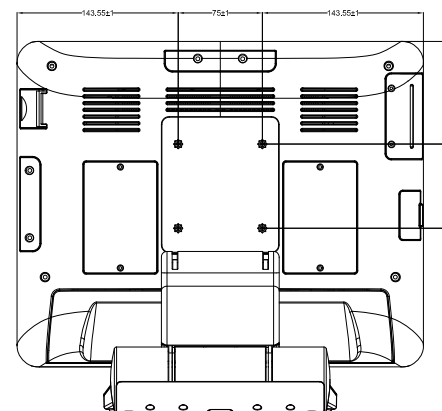
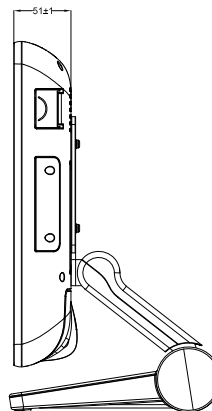
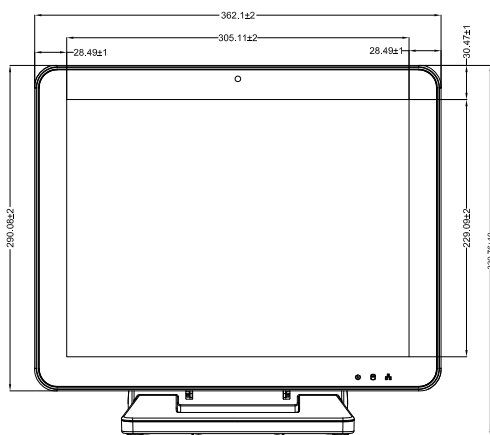
H

估價圖面
樣品圖面
參考圖面
承認圖面
更新圖面

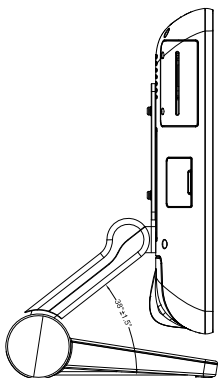
1



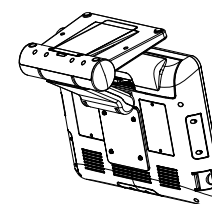
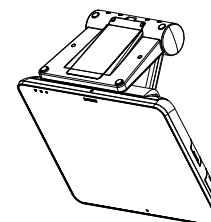
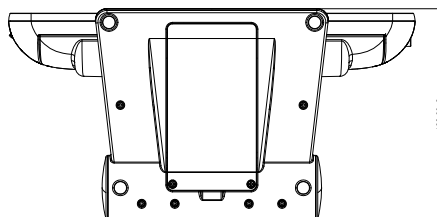
2




3



4



5

<table border="1"> <tr><td>GENERAL TOL.</td><td>A</td><td>B</td></tr> <tr><td>>0</td><td>±0.1</td><td>±0.1</td></tr> <tr><td>>10</td><td>±0.1</td><td>±0.2</td></tr> <tr><td>>50</td><td>±0.15</td><td>±0.3</td></tr> <tr><td>>200</td><td>±0.3</td><td>±0.5</td></tr> <tr><td>>500</td><td>±0.5</td><td>±0.8</td></tr> </table>	GENERAL TOL.	A	B	>0	±0.1	±0.1	>10	±0.1	±0.2	>50	±0.15	±0.3	>200	±0.3	±0.5	>500	±0.5	±0.8	MATERIAL:		PART No.				 安勤科技股份有限公司 Avalue Technology Inc.
	GENERAL TOL.	A	B																						
	>0	±0.1	±0.1																						
	>10	±0.1	±0.2																						
	>50	±0.15	±0.3																						
>200	±0.3	±0.5																							
>500	±0.5	±0.8																							
SPEC.:		DMR Number. T48619-00																							
FINISH:	APPROVED	CHECKED	DESIGNED	DRAWN	NAME	系統機構圖																			
UNIT: MM	Dragon_Huang	Dragon_Huang	Frank_Lu	Frank_Lu	MODEL No.	RITY153(Panel+Stand)																			
SCALE: 1/1	2018/12/24	2018/12/24	2018/12/24	2018/12/24	REV.	A1 SHEET: 3 / 5 AX																			

ΔE≤XX XX≤L、a、△b≤ XX

ANGLE TOL. ±0.5°

A

B

C

D

E

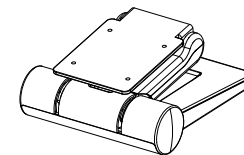
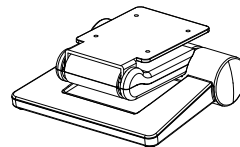
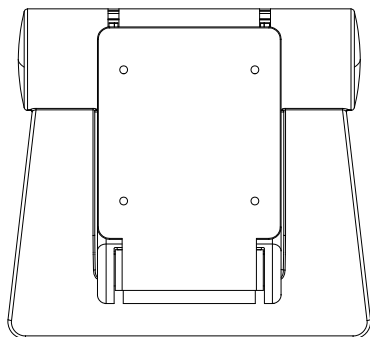
F

G

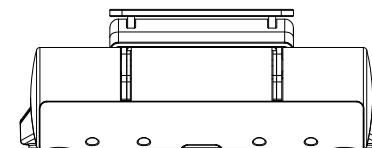
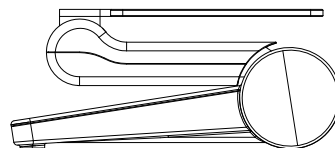
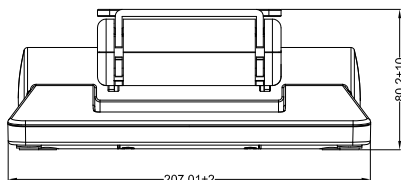
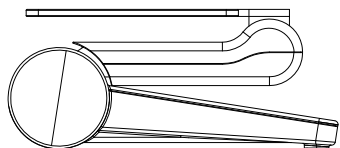
H

估價圖面
樣品圖面
參考圖面
◎承認圖面
更新圖面

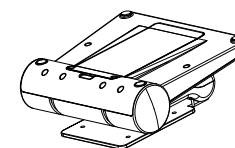
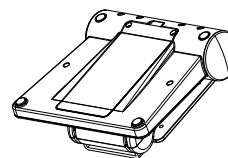
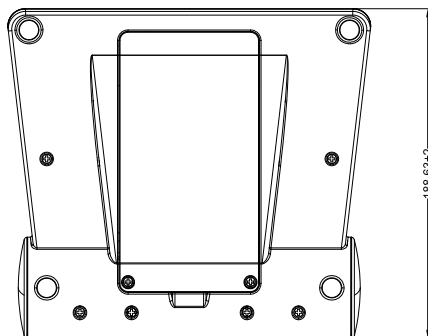
1



2

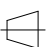


3



4

5

GENERAL TOL.	A	B	MATERIAL:	PART No.				 安勤科技股份有限公司 Avalue Technology Inc.
>0	±0.1	±0.1	SPEC.:	DMR Number. T48619-00				
>10	±0.1	±0.2	FINISH:	APPROVED	CHECKED	DESIGNED	DRAWN	NAME 系統機構圖
>50	±0.15	±0.3	UNIT: MM	Dragon_Huang	Dragon_Huang	Frank_Lu	Frank_Lu	MODEL No. RITY153(Stand)
>200	±0.3	±0.5	 	2018/12/24	2018/12/24	2018/12/24	2018/12/24	REV. A1
>500	±0.5	±0.8		SCALE:1/1	2018/12/24	2018/12/24	2018/12/24	2018/12/24
ΔE≤XX	XX≤L、a、△b≤ XX		ANGLE TOL. ±0.5°					AX

配件包:以下螺絲分別使用夾鏈袋包裝

1. Battery螺絲: Screw-Pan (D5.5) M3xL4 Ni 耐落膠(x4)

2. VESA螺絲: Screw-Pan(D6.8)M4x10+帶齒華司(D8.1) (Color: Ni或黑x4)

A

B

C

D

E

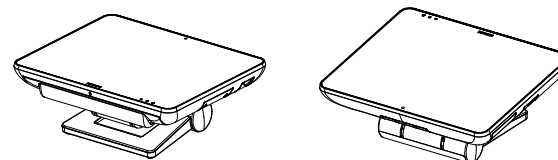
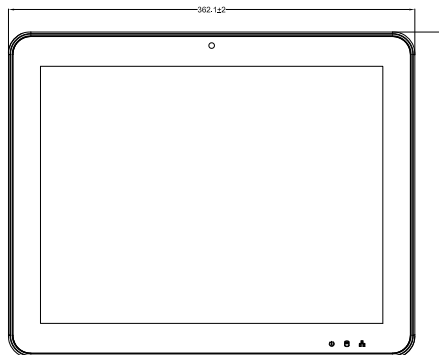
F

G

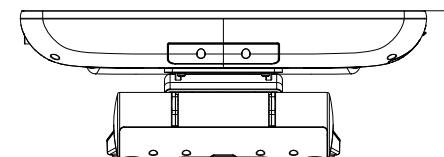
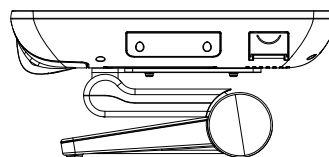
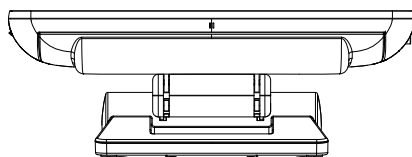
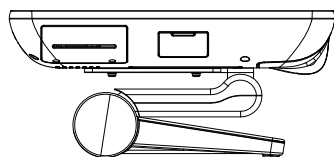
H

估價圖面
樣品圖面
參考圖面
承認圖面
更新圖面

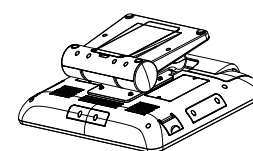
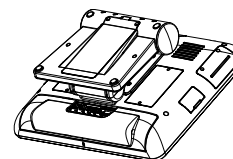
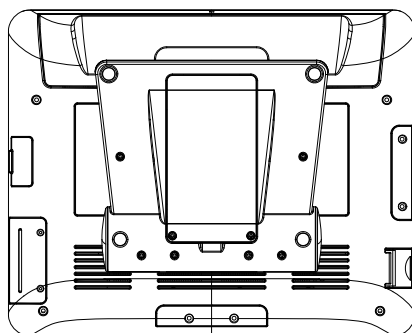
1



2



3



4

5

GENERAL TOL.	A	B	MATERIAL:	PART No.				 安勤科技股份有限公司 Avalue Technology Inc.
>0	±0.1	±0.1	SPEC.:	DMR Number. T48619-00				
>10	±0.1	±0.2	FINISH:	APPROVED	CHECKED	DESIGNED	DRAWN	NAME 系統機構圖
>50	±0.15	±0.3	UNIT: MM	Dragon_Huang	Dragon_Huang	Frank_Lu	Frank_Lu	MODEL No. RITY153(Panel+Stand)
>200	±0.3	±0.5	SCALE: 1/1	2018/12/24	2018/12/24	2018/12/24	2018/12/24	REV. A1 SHEET: 5 / 5 AX
>500	±0.5	±0.8	ANGLE TOL. ±0.5°					

ΔE≤XX XX≤L、a、△b≤ XX