



Features

- 21.5" FHD display with PCAP multi-touch
- Ultra-slim design
- Low profile PCIe expansion
- Front panel IP65
- Optional NFC/ webcam/ barcode/ handset/ WIFI



Data & Access Security



User Friendly Design



USB Type C Full Feature



Infection Control



Medical Grade

Specifications

System Information

Other	Dual LED reading light bar I/O cover Optional handset & 1D barcode scanner
SBC	HID-2138 mother board
TPM	Onboard NuvoTon NPCT754AABYX support TPM 2.0
H/W Status Monitor	CPU temperature monitoring System temperature monitoring VCORE voltage monitoring VIN voltage monitoring
Watchdog Timer	H/W reset, 1sec. - 65535sec./min.1sec. or 1min. step
I/O Chipset	IT8528E
Processor	11th Generation Intel® Core™ i7/i5/i3/Celeron Processor
System Memory	Two 260-pin DDR4 3200 MHz SO-DIMM socket, supports up to 64GB max
Platform Controller Hub	Integrated in processor (SOC)

Expansion

Expansion	1 x Low profile PCIe 1 x M.2 for 4G/5G
-----------	---

Storage

Storage	1 x M.2 storage
---------	-----------------

Audio

Audio Codec	Realtek ALC888S
Speaker Output	2 x 2W

Ethernet

LAN Chipset	1 x Intel® I219LM 1 x Intel® I225LM or I226LM
Ethernet Interface	10/100/1000/2500 Base-Tx GbE compatible

Power Requirement

Power Mode	AT/ATX (ATX is default setting)
DC Input Connector	Lockable DC Jack
DC Input	+12V ~ +19V

Software Support

OS	Win10 / Win11 / Linux
----	-----------------------

Certification

Certification Information	CE : IEC/EN60601-1-2 FCC : Part 15 class B UL60601-1
---------------------------	--

External I/O

USB Port	2 x USB 2.0 2 x USB type C (USB 3.1/display/PD 3.0 15V)
LAN Port	2 x RJ-45

Panel

Pixel Pitch	0.24795 (H) x 0.24795 (V)
Viewing Angle	89 (U), 89 (D), 89 (L), 89 (R)
Response Time	22 ms
Backlight	LED
Touch Type	Projective capacitive multi-touch up to 10 points
Touch Light Transmission	86%
Touch Controller	USB touch (EETI EXC3188)
LCD Size	21.5"
Display Type	Full HD
Resolution	1920 x 1080
Contrast Ratio	1000
Luminance	250 cd/m ²

I/O

COM Port	1 (optional)
SATA	1 x SATA III

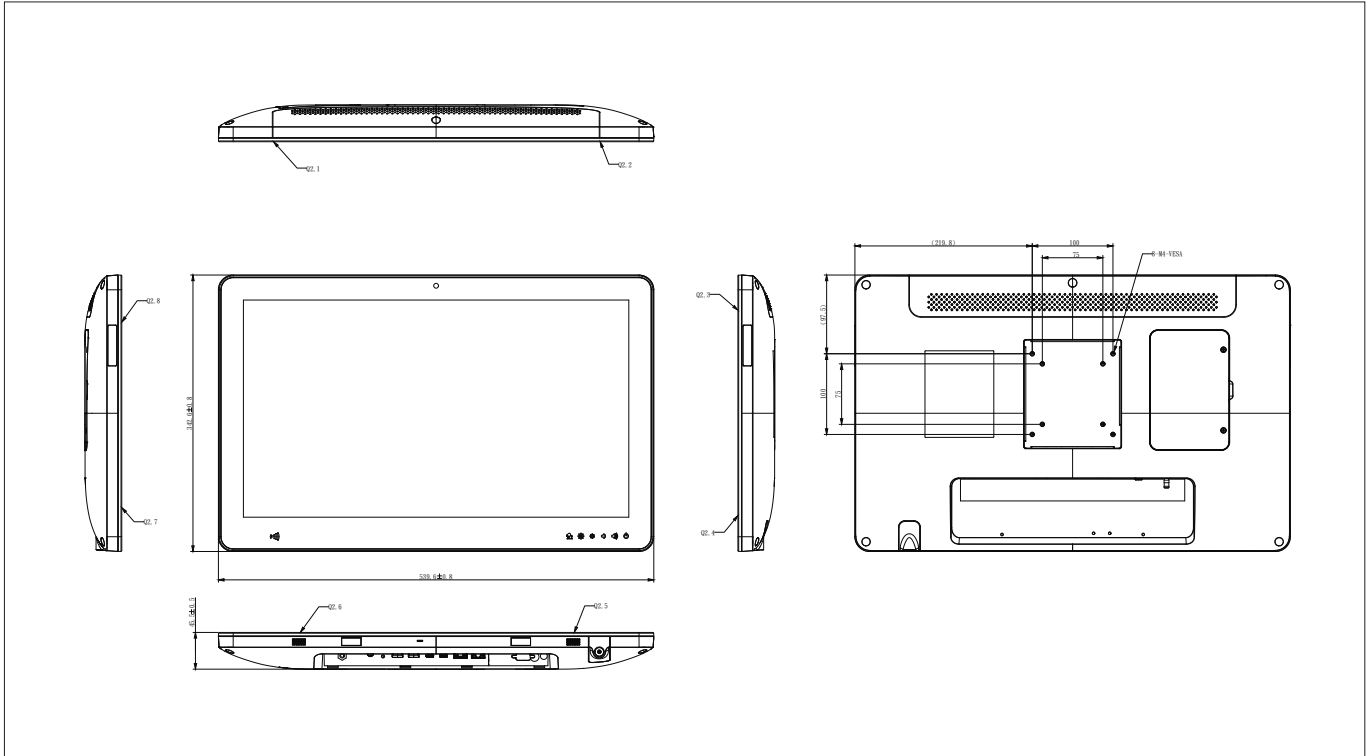
Mechanical & Environmental

Construction - Front	White plastic
Construction - Rear	White plastic
Weight	6 kg
Storage Temp.	-30°C ~ 70°C (-22°F ~ 158°F)
Operating Humidity	0% ~ 90% relative humidity, non-condensing
Dimension (W x L x H)	539.6 x 342.6 x 45.2 mm
Operating Temp.	0°C ~ 40°C (32°F ~ 104°F)
System Fan	Fanless
Vibration Test	With SSD/mSATA : 1.5Grms, IEC 60068-2-64, random, 5 ~ 500Hz, 30min/axis
Shock Test	With CF/SSD : 10Grms, IEC 60068-2-27, half sine, 11ms
IP Rating	Front IP65
Fanless	Yes
Color	White
Finishing	Anti-microbial

Component

Adapter	Medical grade Input: 100-240 Vac/50-60Hz; Output: 90W adapter (19V/4.74A adapter)
---------	---

Mechanical Drawing



Ordering Information

P/N	Touch Type	Processor	Memory	Storage	Panel Size	Resolution	Brightness	I/O Ports (COM/USB/LAN)	Display Output	Power Input	Working Temp.	OS Support
HID-2138-114-A1R	PCAP	i5-1145G7E	8GB	256GB M.2 SSD	21.5"	1920 x 1080	250 cd/m ²	2 USB/2 USB Type C/ 2 LAN	USB Type C	+12V~+26V	0°C ~ 40°C (32°F ~ 104°F)	Win10, Win 11, Linux

Packing List

Item	P/N	Quantity
HID-2138 Medical Panel PC	HID-2138-114-A1R	1
Medical power adapter	ACC-ADP-090M-03R	1

Optional Items

Items	P/N
Barcode Scanner Kit for HID-2132/ APC-2132	RCC-HID-BCSCAN-02R
WIFI Dongle for HID-2138	RCC-HID-WIFI-01R
VESA Stand 75/100 CA-MT01-07 White	ACC-ARM-D41R
HID Black Stand VESA 100 x 100/ 75 x 75	ACC-ARM-D49R
EU Power Cord	E170203183DR
US Power Cord	E1702031835R
JP Power Cord	E170203183BR
UK Power Cord	E170P060370R
AU Power Cord	E1702031800R

I/O Overview

