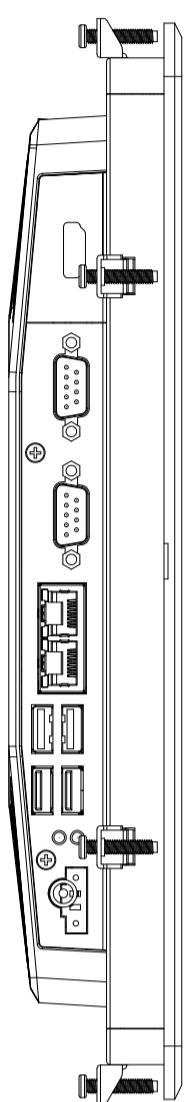
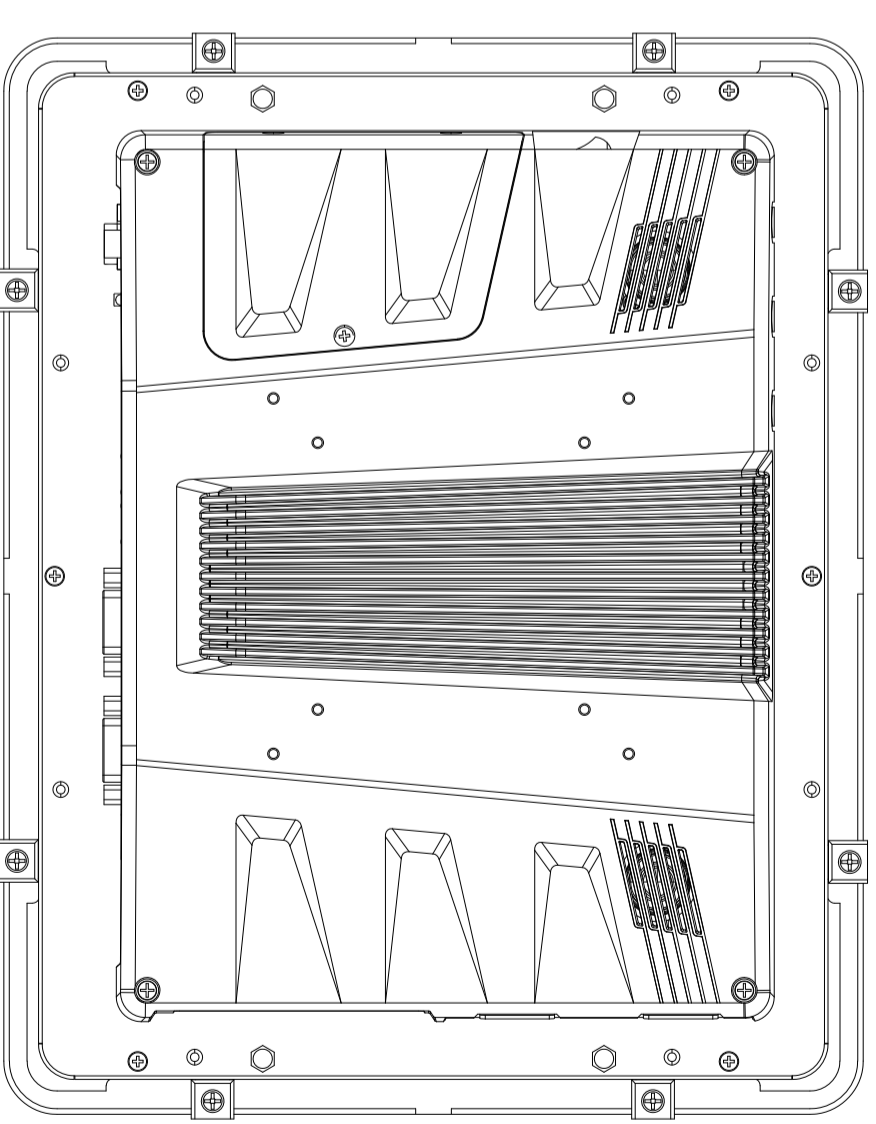
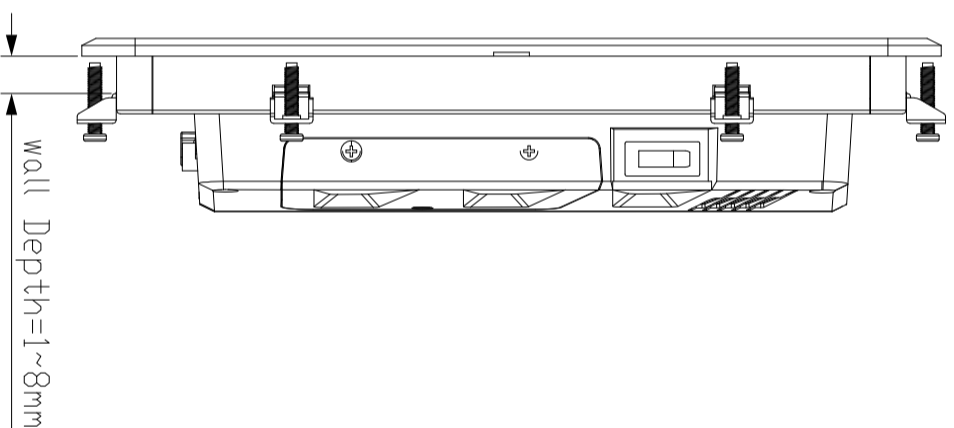
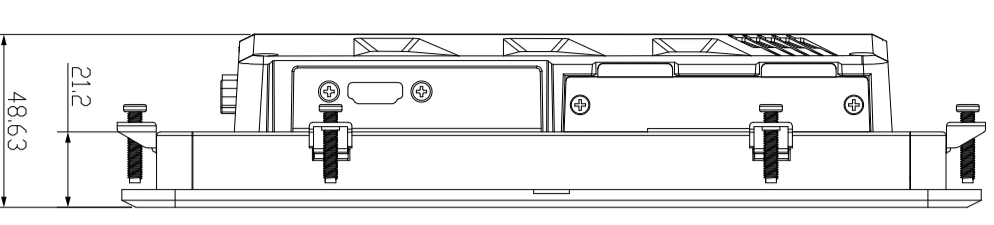
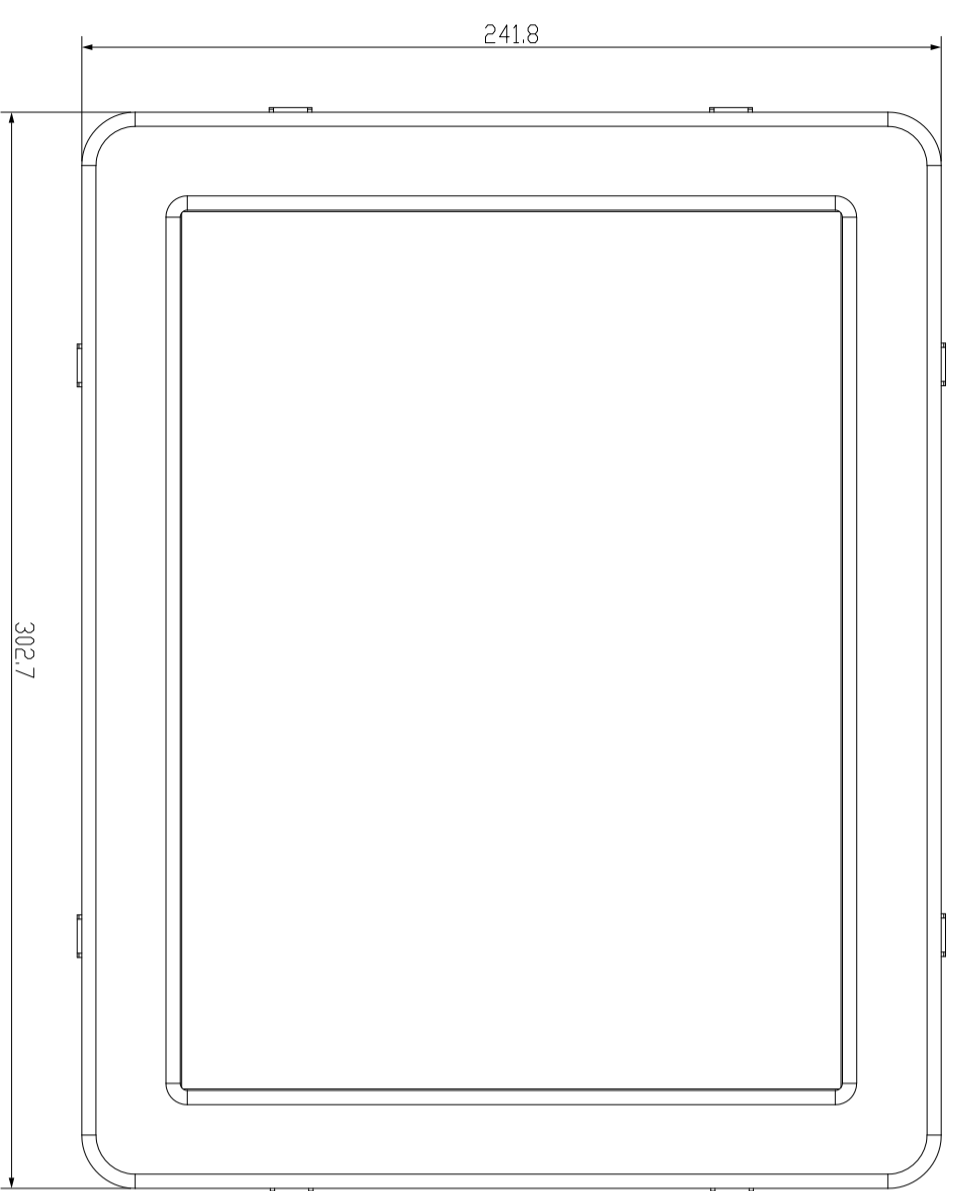
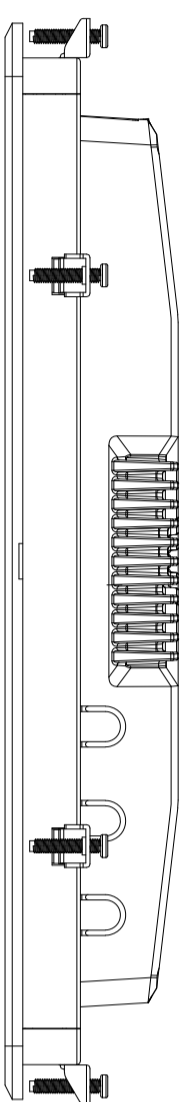
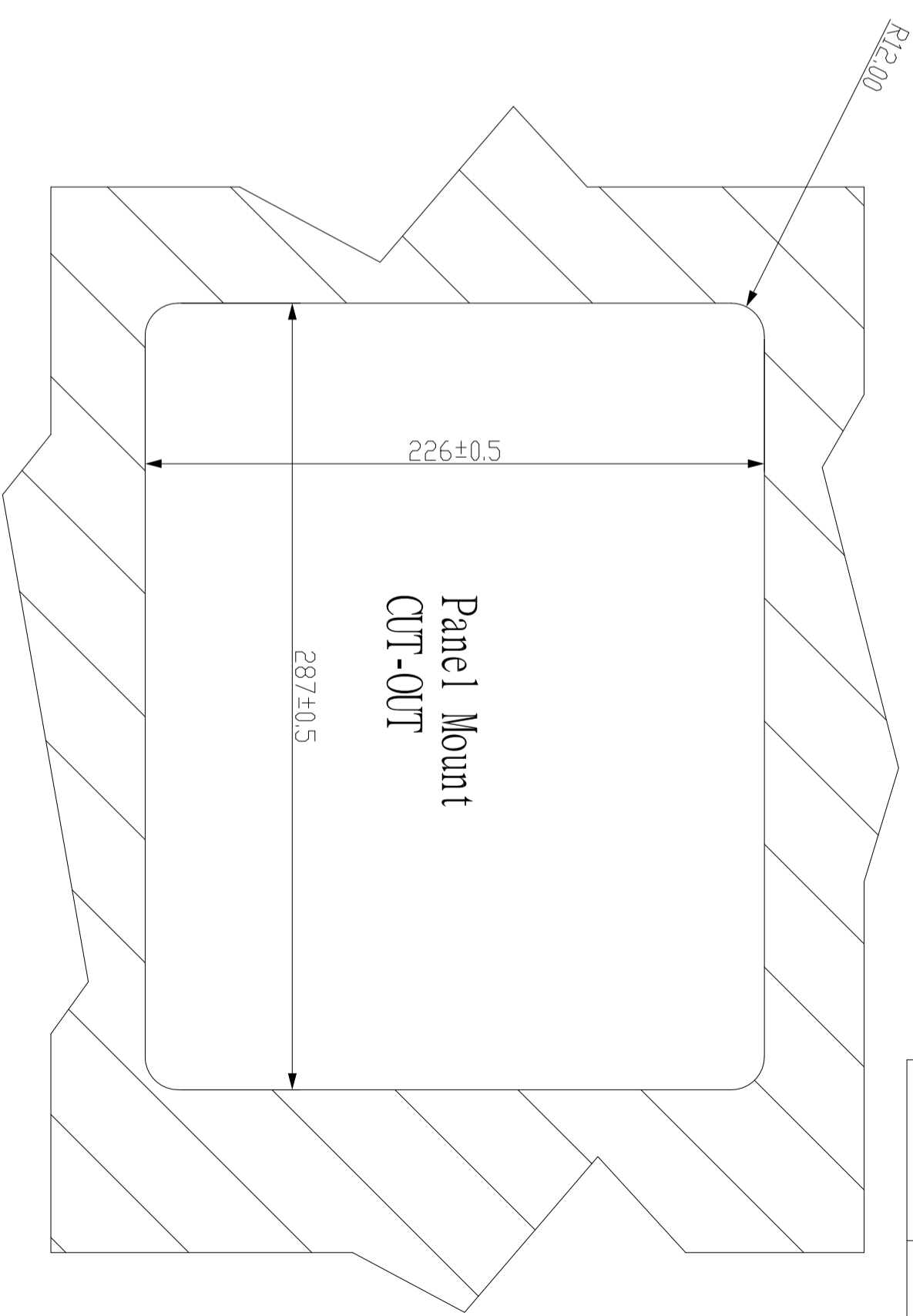


修改圖面
參考圖面
承認圖面
更新圖面

A B C D E F G H

表面處理	電鍍	陽極	液烤漆	粉烤漆	扭拉力	材質
膜厚 (mm)	≤0.007	≤0.015	≤0.2	≤0.3	扭拉力 (kgf/cm)	鐵件 6 鋁件 4 塑膠件 6
					拉力值 (kgf)	15 8 15



GENERAL TOL.	A	B	MATERIAL:	PART No.	NAME
>0	±0.1	±0.2	SPEC:	TASK Dwg No.	Panel mount ID drawing
>10	±0.15	±0.5	FINISH:	APPROVED	Model No. ARC-1209
>20	±0.3	±0.5	UNIT:MM	CHECKED	REV. A1
>50	±0.5	±0.8	SCALE:	DESIGNED	SHEET: 1/1
>800	±0.5			DRAWN	
ANGUL. TOL. ±0.5°				REV.	

Value	L	a	b
Vender	L	a	b
ΔE	≤1.5	-1	≤ ΔL、Δa、Δb ≤ 1



5

4

3

2

1