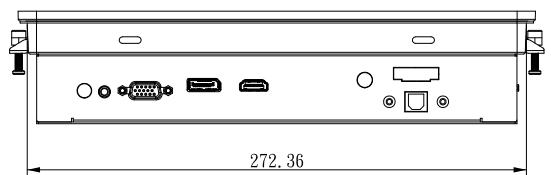
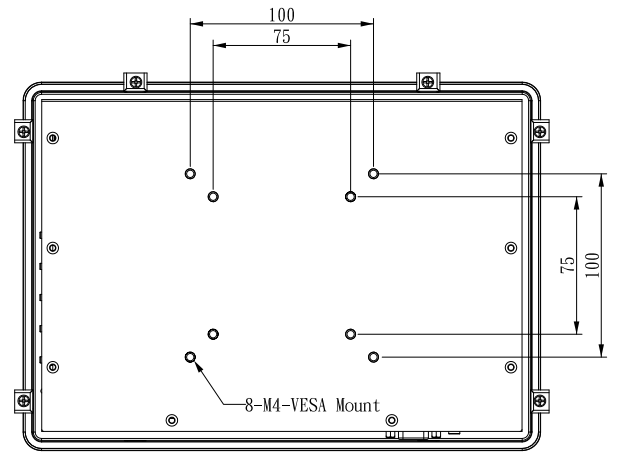
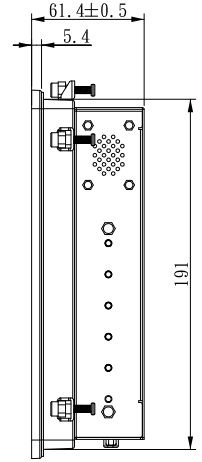
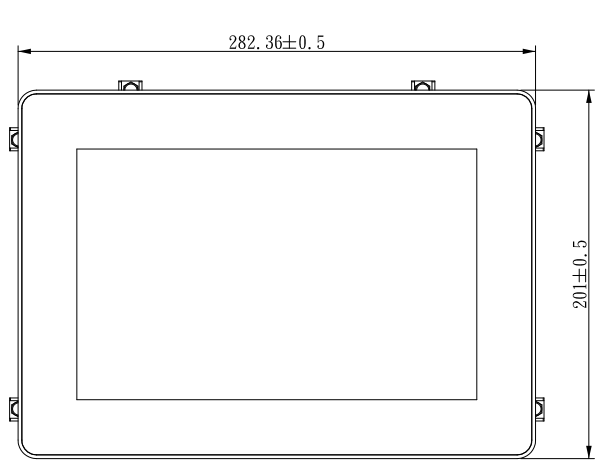
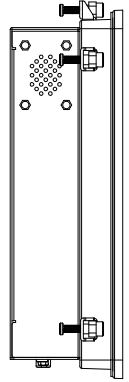
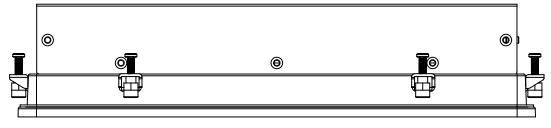


A B C D E F G H

估價圖面
 樣品圖面
 參考圖面
 承認圖面
 更新圖面

1
2
3
4
5



$\Delta E \leq 1.5 -1 \leq \Delta L, \Delta a, \Delta b \leq 1$

GENERAL TOL.	A	B	MATERIAL:	PART No.			
>0	±0.1	±0.1	SPEC:	DWR Number			
>10	±0.15	±0.2	FINISH:	APPROVED	CHECKED	DESIGNED	DRAWN
>50	±0.2	±0.3	UNIT:MM	Dragon Huang	Kobe Chang	Owen Lee	Owen Lee
>200	±0.3	±0.5	SCALE:	1:2	20191016	20191016	20191016
>500	±0.5	±0.8	ANGLE TOL:±0.5	1:2	20191016	20191016	20191016

安勤科技股份有限公司
 Avalue Technology Inc.

NAME: ARC-10R00
 MODEL No.
 REY. A1 SHEET: 7/8 A2