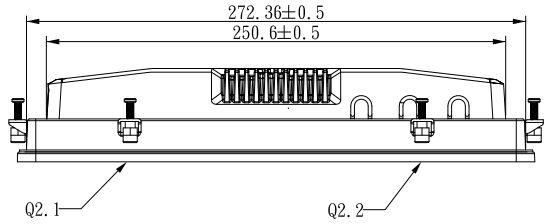
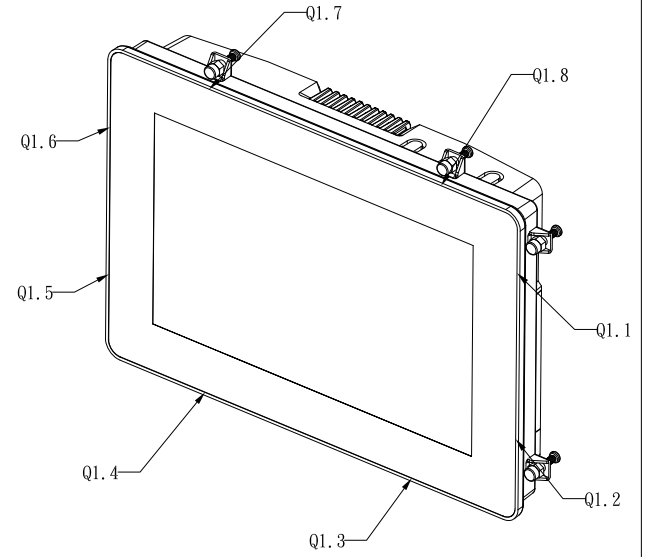
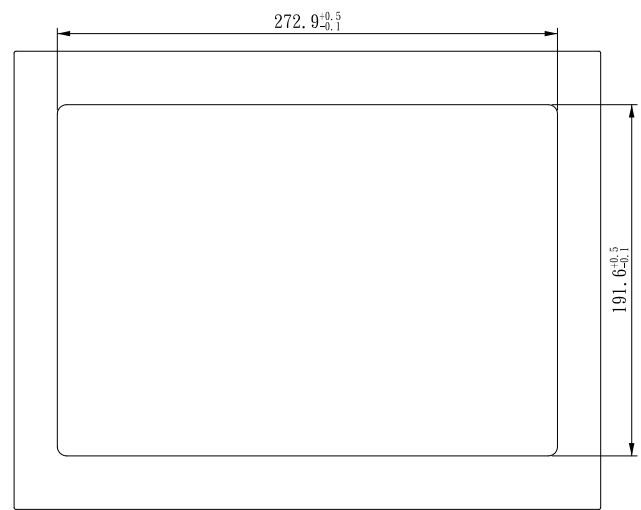


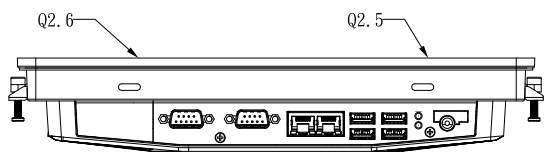
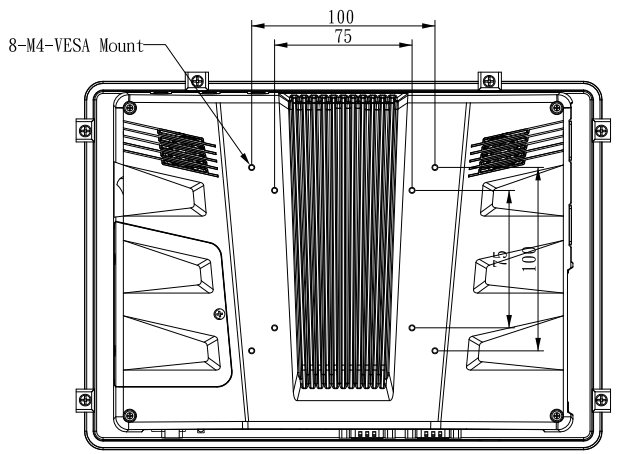
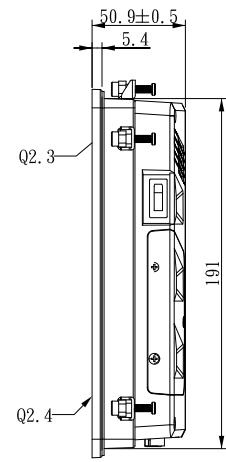
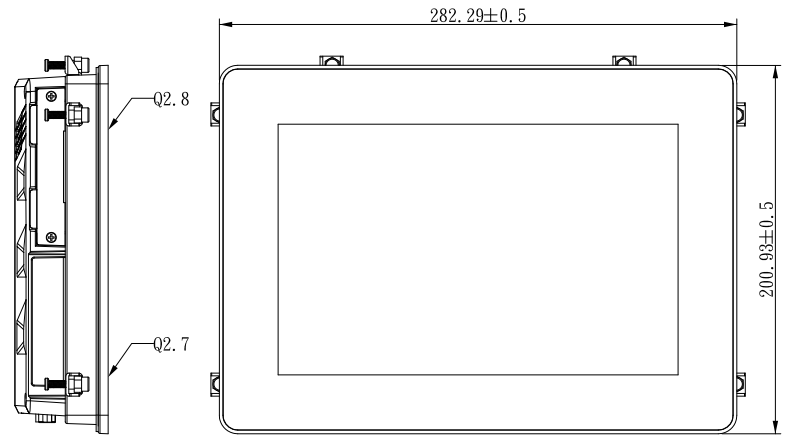
A B C D E F G H

估價圖面
樣品圖面
參考圖面
承認圖面
更新圖面

1
2
3
4
5



CUT OUT



Note
Q1:FRONT BEZEL / PCAP TOUCH GAP
MIN 0.00mm MAX 0.5mm
Q2:PCAP TOUCH SURFACE PROJECTION W/ FRONT BEZEL
MIN -0.4mm MAX 0.00mm

ΔE	≤ 1.5	-1	$\leq \Delta L, \Delta a, \Delta b \leq$	1
------------	------------	----	--	---

GENERAL TOL.	A	B	MATERIAL:	PART No.					安勤科技股份有限公司 Avalite Technology Inc.			
>0	± 0.1	± 0.1	SPEC:	DMR Number:	TS4375-00							
>10	± 0.2	± 0.2	FINISH:	APPROVED	CHECKED	DESIGNED	DRAWN	NAME	系統機構圖			
>50	± 0.3	± 0.3	UNIT:MM	Dragon Huang	Kobe Chang	Owen Lee	Owen Lee	MODEL No.	ARC-10R33			
>200	± 0.4	± 0.4	SCALE:	20190418	20190418	20190418	20190418	REV.	A1	SHEET:	1/8	A2
>500	± 0.5	± 0.8	ANGLE TOL $\pm 0.5^\circ$	1:2	20190418	20190418	20190418	20190418				