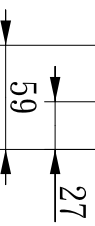
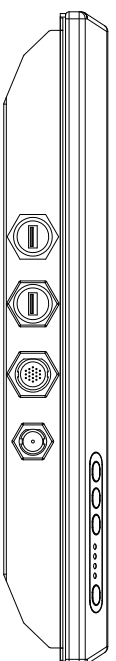
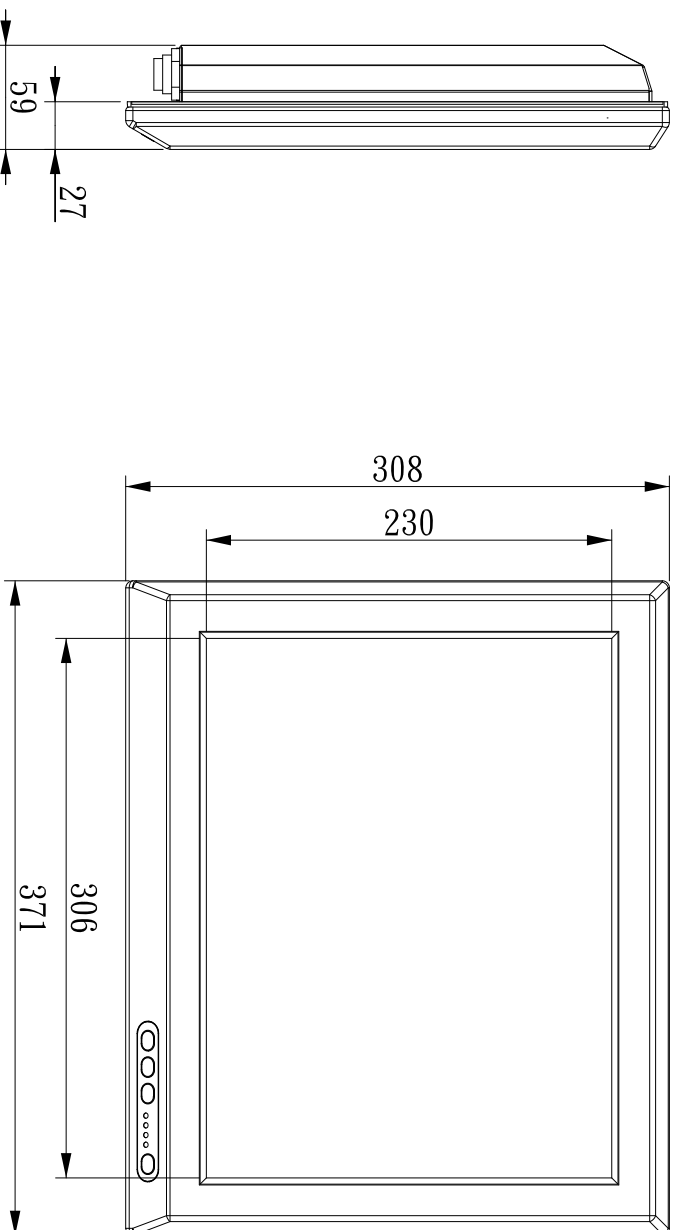
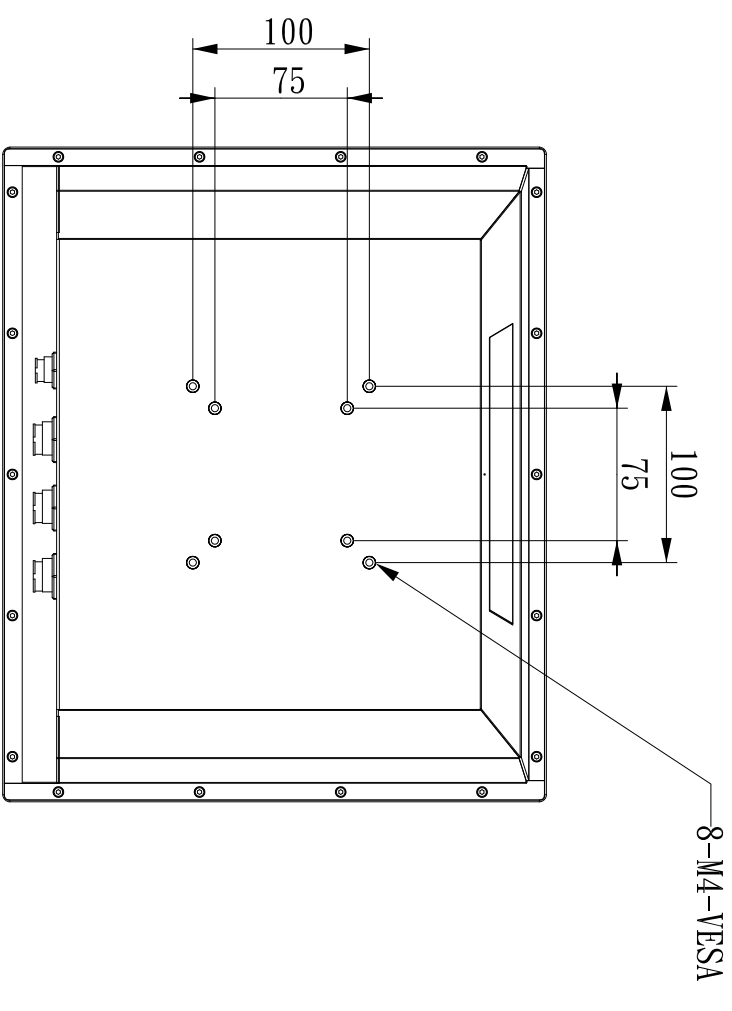
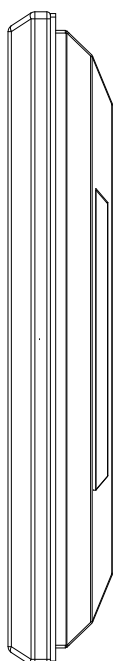


| | |
|---|------|
| | 估價圖面 |
| | 樣品圖面 |
| ◎ | 參考圖面 |
| | 承認圖面 |
| | 更新圖面 |



| REV | DATE | REMARK | DESIGNED | APPROVED |
|-----|------|--------|----------|----------|
| | | | | |

| | | | | | |
|------------------|-------|------|------|----------|-------------|
| GENERAL TOL | | A | B | MATERIAL | |
| >0 | ±0.1 | ±0.1 | ±0.1 | SPEC | PART No |
| >10 | ±0.1 | ±0.2 | ±0.2 | Finish | TASK DWG No |
| >50 | ±0.15 | ±0.5 | ±0.5 | Unit | APPROVED |
| >200 | ±0.3 | ±0.5 | ±0.5 | Scale | CHECKED |
| >500 | ±0.5 | ±0.8 | ±0.8 | 1:4 | DESIGNED |
| ANGEL TOL. ±0.5° | | | | mm | DRAWN |
| | | | | mm | NAME |
| | | | | mm | MODEL NO |
| | | | | mm | REV |
| | | | | mm | A1 |
| | | | | mm | SHEET |
| | | | | mm | 1/1 |
| | | | | mm | A3 |

| | | | | | | |
|--------|-------|-------|---------------------|-------|---|-------|
| Avalue | L | XX.XX | a | XX.XX | b | XX.XX |
| Vender | L | XX.XX | a | XX.XX | b | XX.XX |
| ΔE | ≤ 1.5 | | -1 ≤ ΔL, Δa, Δb ≤ 1 | | | |

AT 安勤科技股份有限公司
Avalue Technology Inc.

NAME ID Drawing
MODEL NO SPC-1509-B1-cost-down
REV A1 SHEET 1/1 A3

APPROVED Dragon
CHECKED Kobe
DESIGNED Kobe
DRAWN Kobe

PART No TASK DWG No

Scale 1:4

Finish Unit

SPEC

MATERIAL

GENERAL TOL

ANGEL TOL. ±0.5°

ΔE ≤ 1.5

Vender L XX.XX a XX.XX b XX.XX

Avalue L XX.XX a XX.XX b XX.XX

1 2 3 4 5 6 7

A B C D E F G H I J K L